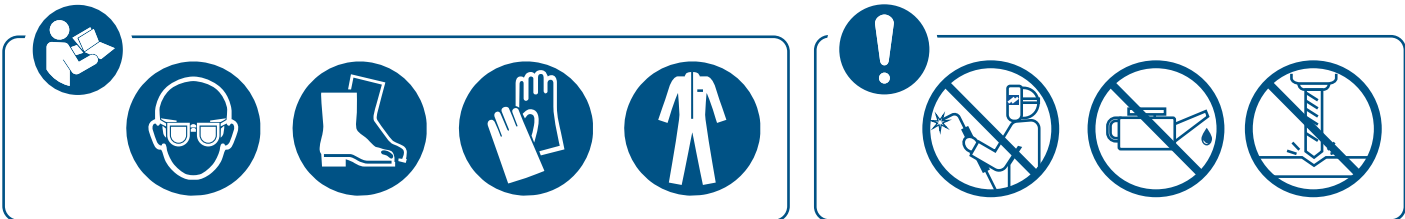
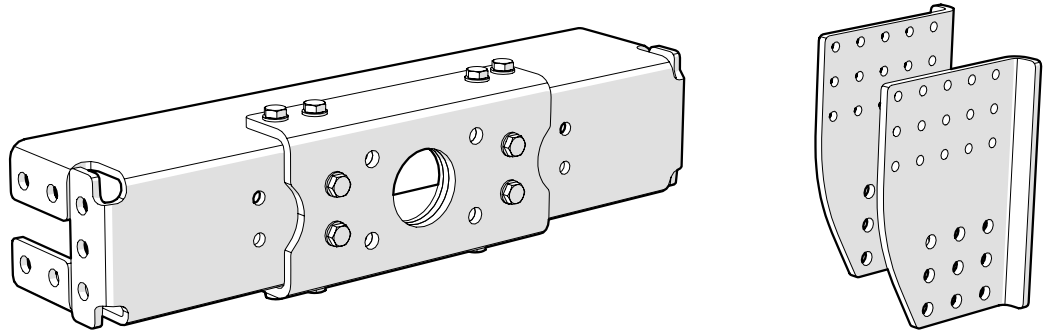




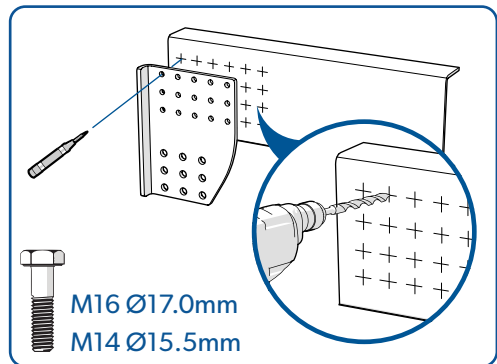
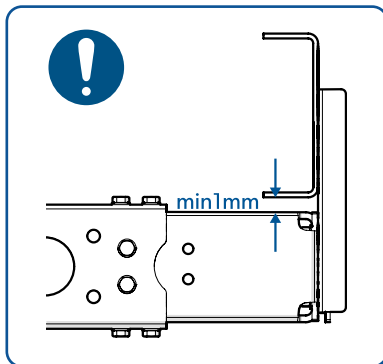
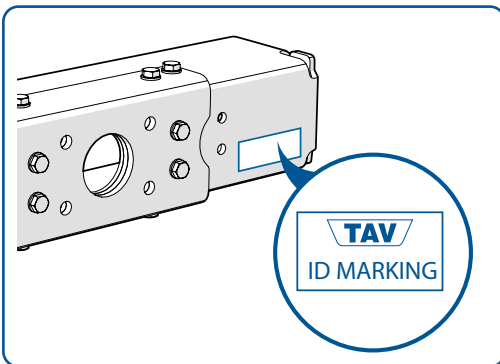
# TAV220 Drawbeam

## Installation instructions - TAV206 series

D-value: 220kN  
Dc-value: 160kN  
V-value: 50kN  
S-value: 1000kg  
Type: B220  
Class: F  
Length: 700-900mm



**!** Check all parts before installation. The installation must be carried out carefully and professionally. Follow the instructions. Take account of the instructions provided by the vehicle's manufacturer about installation and reinforcements (where applicable).



Spacer plates	Thickness
TAV221	1mm
TAV222	2mm
TAV224	4mm
TAV226	6mm

**1**

TAV204

Side plate pair	Required bolt kit
TAV206	TAV228
TAV206SC	
TAV206MB	
TAV206VO	
TAV206DAF	
TAV206IV	
TAV206MAN	

**!** Use the TAV204 Support plates if the RUPD plate is not used!

**!** 570Nm  
Tighten with torque wrench

M20  
10.9

**2**

Side plate pair	Required bolt kit
TAV206	2 x TAV729-2
TAV206MB	2 x TAV729-2
TAV206VO	2 x TAV729-2
TAV206DAF	2 x TAV729-2
TAV206MAN	2x TAV729-2

Side plate pair	Required bolt kit
TAV206IV	2 x TAV728

**!** 250Nm  
Tighten with torque wrench

M16  
10.9

**!**

Check bolt tightness after 5000km

Side plate pair	Required bolt kit
TAV206SC	2 x TAV229

**!** 190Nm  
Tighten with torque wrench

M14  
10.9

**3**

**!**