

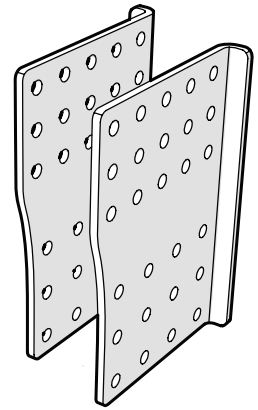
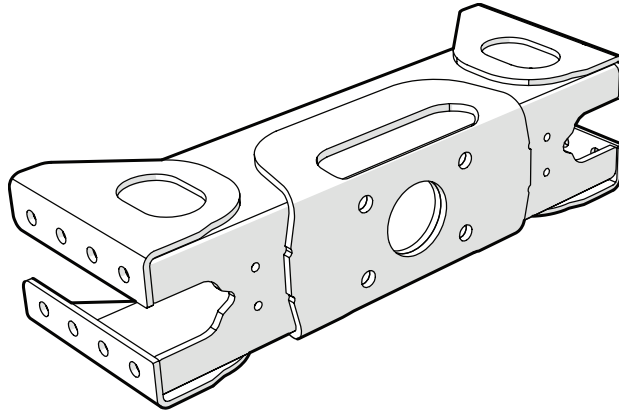


# B190 Drawbeam TAV742-TAV885

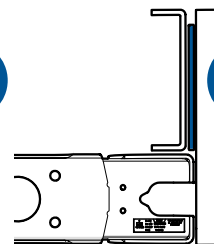
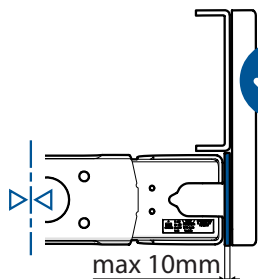
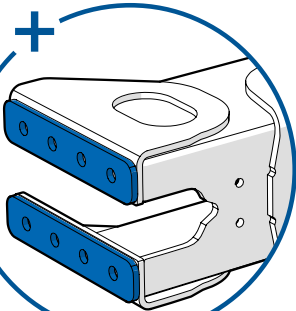
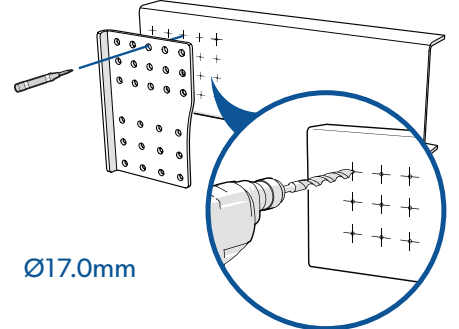
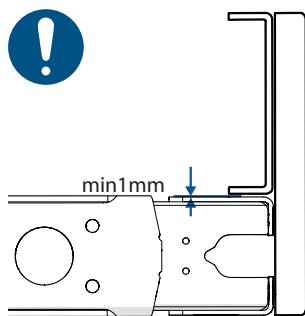
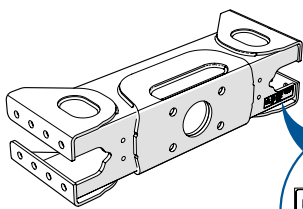
## Installation instructions - TAV706 series

### B190 742-885mm

D-value: 190kN  
Dc-value: 120kN  
V-value: 50kN  
S-value: 1000kg



Check all parts before installation. The installation must be carried out carefully and professionally. Follow the instructions. Take account of the instructions provided by the vehicle's manufacturer about installation and reinforcements (where applicable).



Spacer plates	Thickness
TAV720	1.5mm
TAV721	1mm
TAV722	2mm
TAV724	4mm
TAV726	6mm

**1**

Side plate pair	Required bolt kit
TAV706	TAV729
TAV706SC	
TAV706MB	
TAV706VO	
TAV706DAF	
TAV706IV	
TAV706MAN	

**2**

Side plate pair	Required bolt kit
TAV706	2 x TAV729-2
TAV706SC	2 x TAV729-2
TAV706MB	2 x TAV729-2
TAV706VO	2 x TAV729-2
TAV706DAF	2 x TAV729-2

Side plate pair	Required bolt kit
TAV706IV	2 x TAV728
TAV706MAN	2 x TAV728

**!**  
250Nm  
Tighten with torque wrench

M16  
10.9

Check bolt tightness after 5000km

**3**