



TAV200 & TAV220 Drawbeam

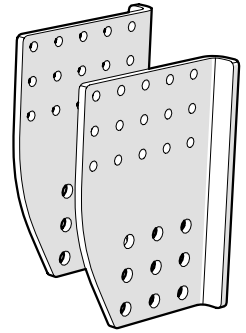
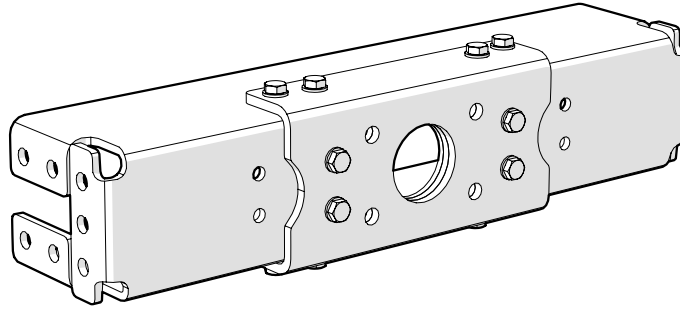
Installation instructions - TAV206 series

TAV200

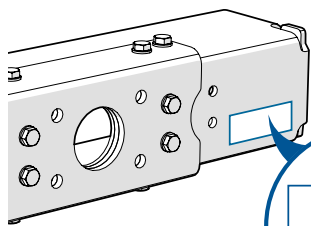
D-value: 200kN
Dc-value: 120kN
V-value: 50kN
S-value: 1000kg
Type: B200
Class: F
Length: 550-900mm

TAV220

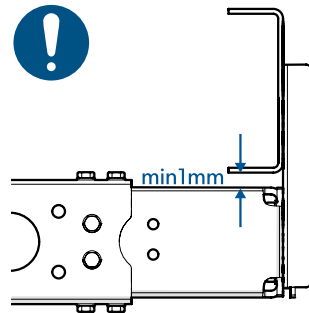
D-value: 220kN
Dc-value: 160kN
V-value: 50kN
S-value: 1000kg
Type: B220
Class: F
Length: 700-900mm



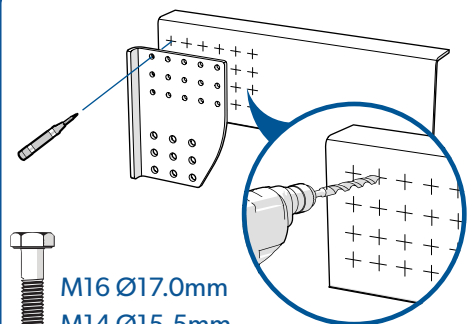
Check all parts before installation. The installation must be carried out carefully and professionally. Follow the instructions. Take account of the instructions provided by the vehicle's manufacturer about installation and reinforcements (where applicable).



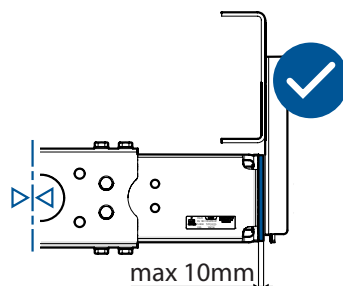
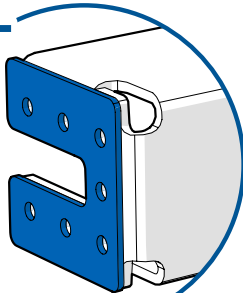
TAV
ID MARKING



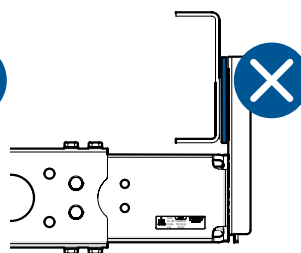
min 1mm



M16 Ø17.0mm
M14 Ø15.5mm



max 10mm



Spacer plates	Thickness
TAV221	1mm
TAV222	2mm
TAV224	4mm
TAV226	6mm

1

TAV204

Side plate pair	Required bolt kit
TAV206	TAV228
TAV206SC	
TAV206MB	
TAV206VO	
TAV206DAF	
TAV206IV	
TAV206MAN	

! Use the TAV204 Support plates if the RUPD plate is not used!

! 570Nm
Tighten with torque wrench

M20
10.9
Zinc plated μ 0.14

2

Side plate pair	Required bolt kit
TAV206	2 x TAV729-2
TAV206MB	2 x TAV729-2
TAV206VO	2 x TAV729-2
TAV206DAF	2 x TAV729-2
TAV206MAN	2x TAV729-2

Side plate pair	Required bolt kit
TAV206IV	2 x TAV728

! 250Nm
Tighten with torque wrench

M16
10.9
Zinc plated μ 0.14

Side plate pair	Required bolt kit
TAV206SC	2 x TAV229

! 190Nm
Tighten with torque wrench

M14
10.9
Zinc plated μ 0.14

Minimum fastening to all side plates with 14.8mm hole size 15xM14 190Nm

!

Mechanical properties ISO 898-1:2013
Check bolt tightness after 5000km

3

!