

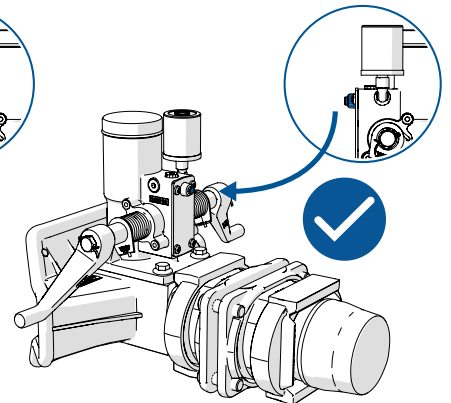
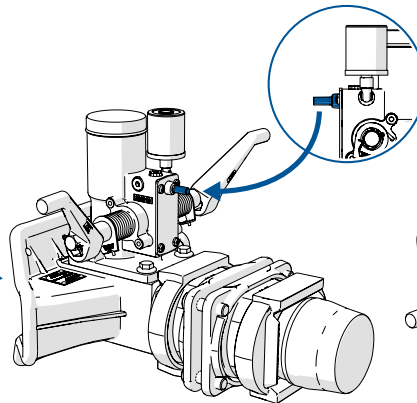
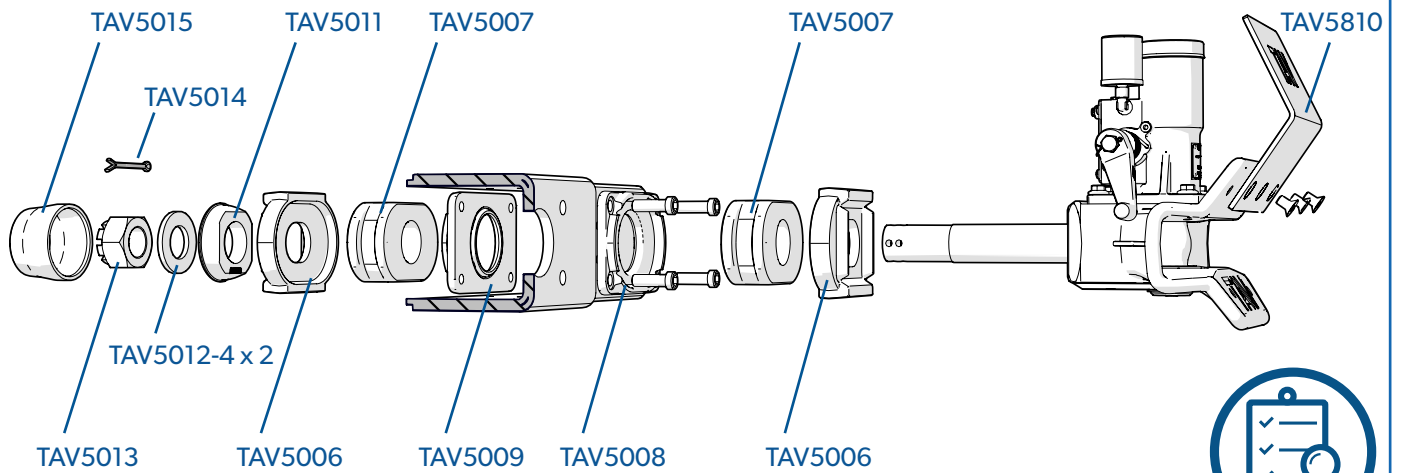
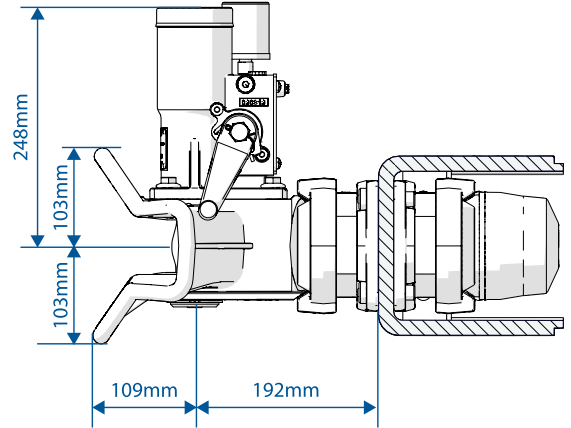
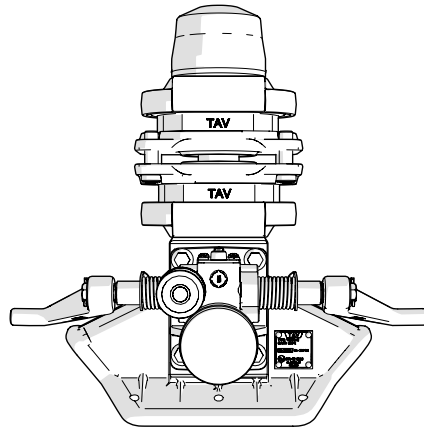


# TAV50-V2 Coupling

## Drawbeam mounting and installation instructions

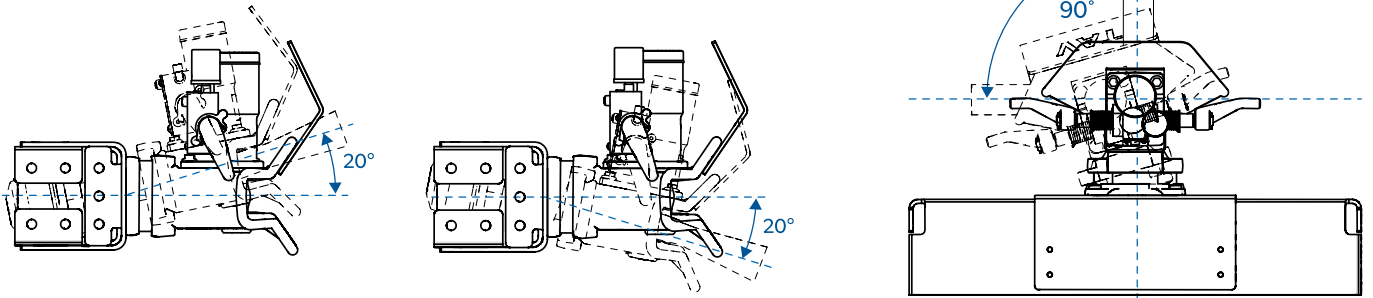
### TAV50-V2

D-value: 220kN  
Weight: 45kg  
Type: TAV50-v2  
Class: C50-X

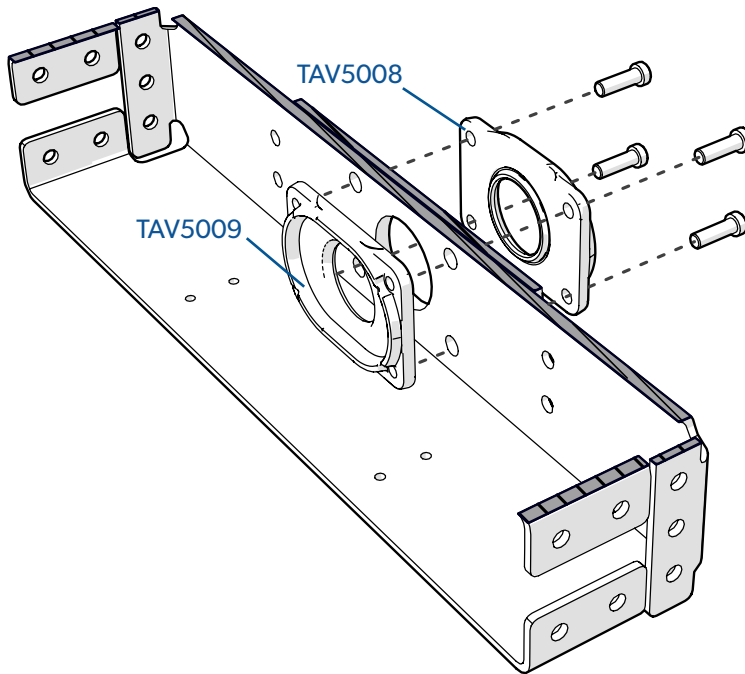




Space requirement: at least 100mm of free space around the coupling

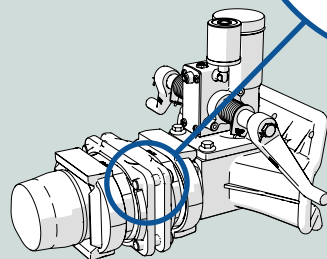
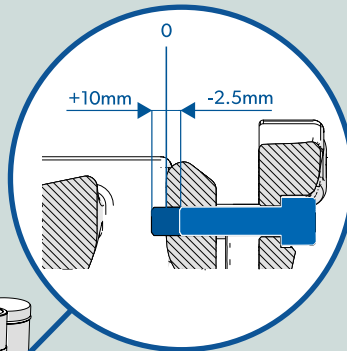


### 1 Installation to TAV drawbeam



#### BOLTS

Bolt can not exceed or fall below this dimension



220Nm  
Tighten with torque wrench

