

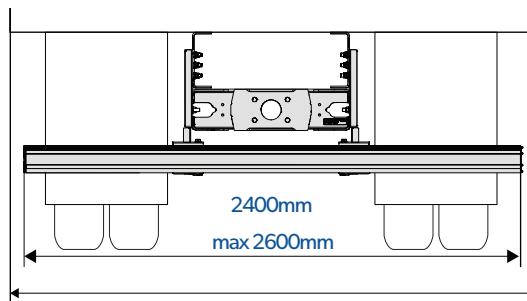
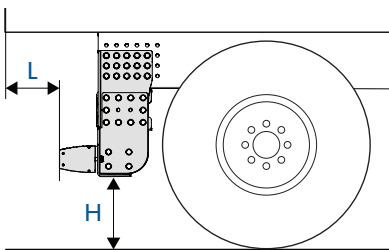
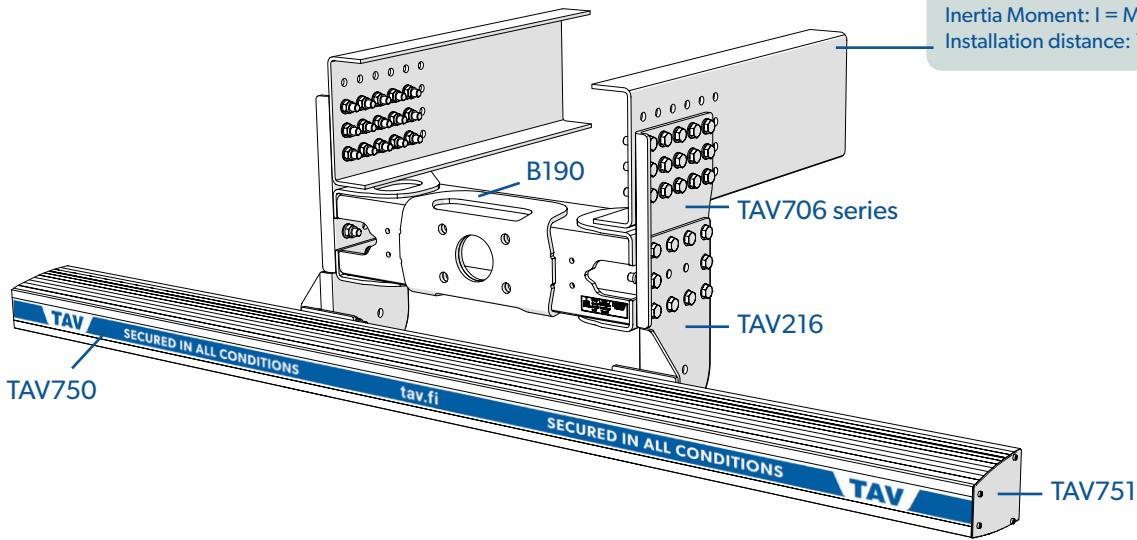


TAV750 Rear underrun protection device for B190 drawbeam

Installation instructions

TAV750 + TAV216

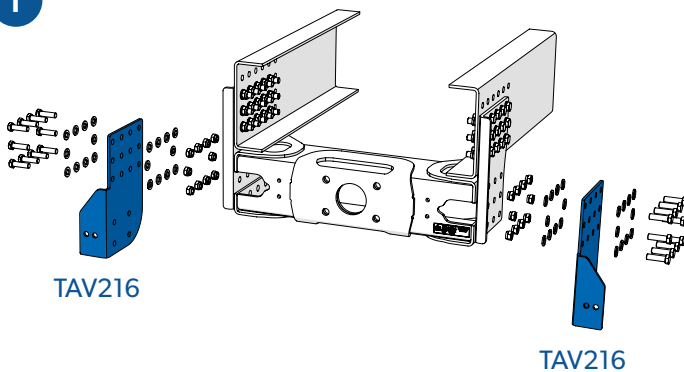
Material: Minimum S355
Inertia Moment: I = Minimum 3367 cm⁴
Installation distance: 760-850mm



Vehicle category	L
N3	Max. 300mm
O4	Max. 192mm
O4 platform lift or tipping-trailer	Max. 300mm

Vehicle category	Suspension	H
N3 & O4	Pneumatic suspension	Max. 450mm
N3	Leaf spring suspension	Max. 500mm
O4	Other suspension	Max. 500mm or max. 8° departure angle

1



- x 20
- x 40
- x 20

250Nm
Tighten with torque wrench



