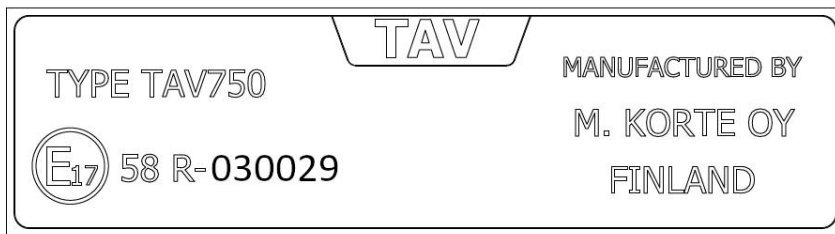
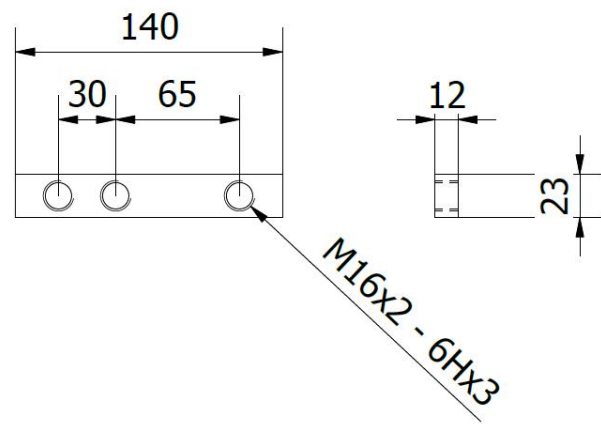


ID sticker 300mm from the left side

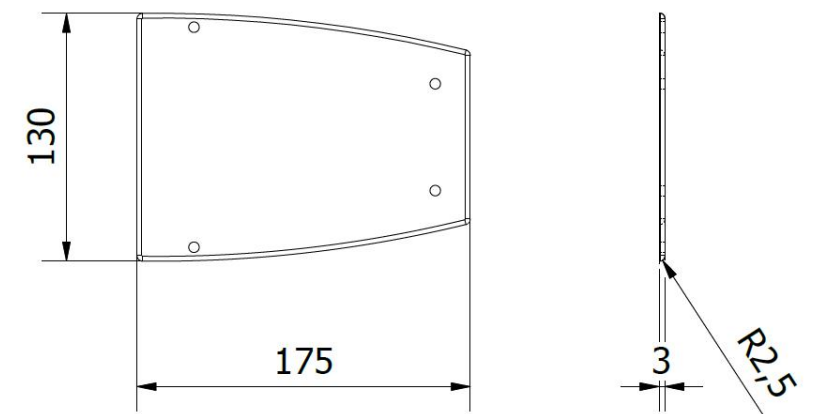
Type approval ID (1 : 1)



TAV212x2 (1 : 4)



TAV751x2 (1 : 4)



M. KORTE OY TAV	SCALE: 1:2	SHEET SIZE: A3	PROJECTION:
	DATE: 6.6.23	DESIGNER: 65	REVISION NUMBER: 1.0
DESCRIPTION: Rear underrun protection device R58 rev3		PART NUMBER: TAV750	