

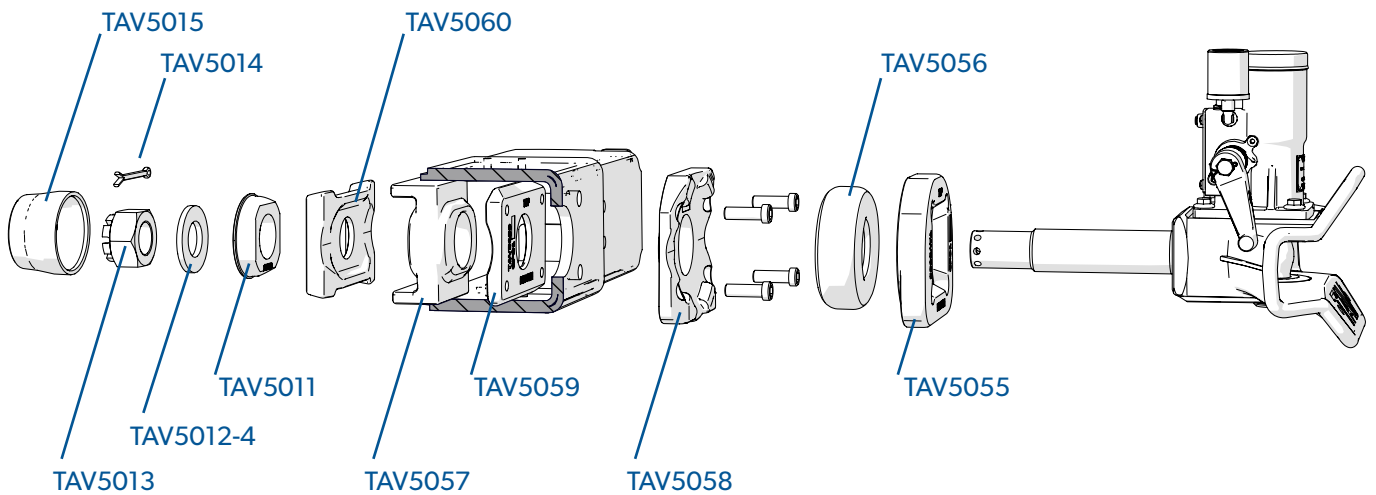
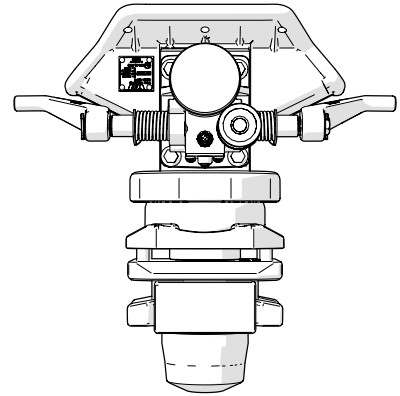
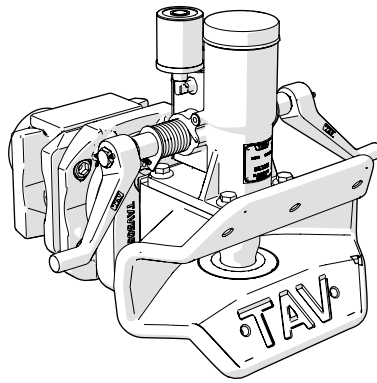


# TAV50D-V3 Coupling

## Drawbeam mounting and installation instructions

### TAV50D-V3

Weight 49kg  
D-value: 220kN  
Dc-value: 160kN  
V-value: 50kN  
S-value: 1000kg



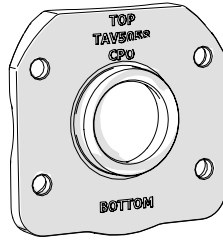
### Spacer options



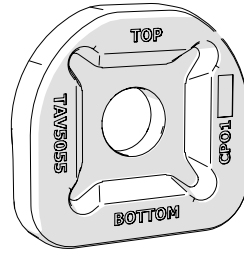
4mm TAV5012-4

Use minimum 1x 4mm spacer  
Installation between TAV5013 and TAV5011

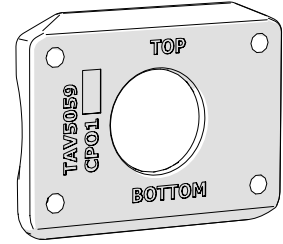




TAV5058

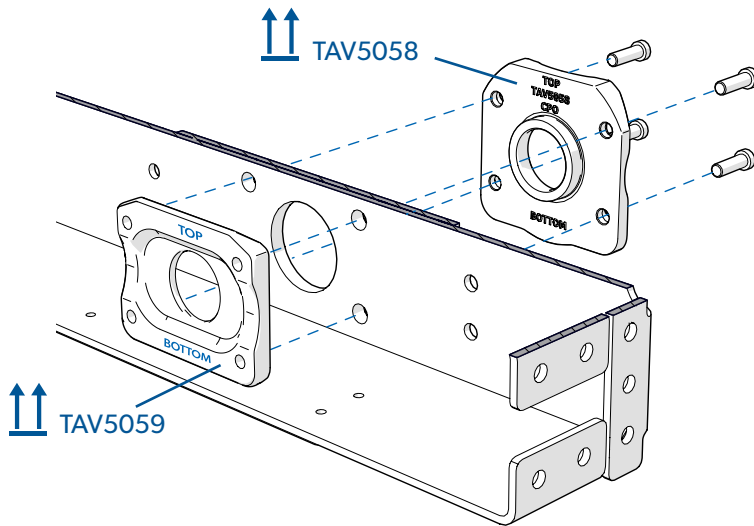


TAV5055

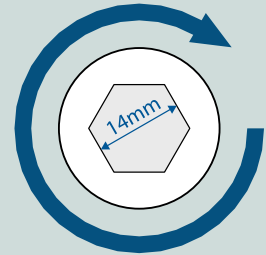


TAV5059

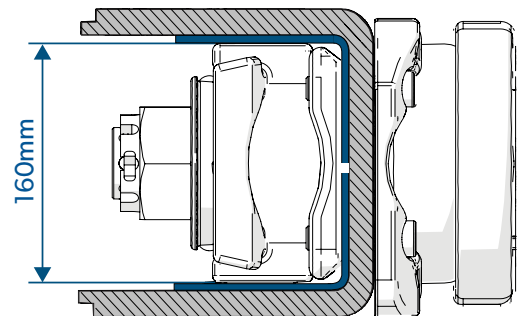
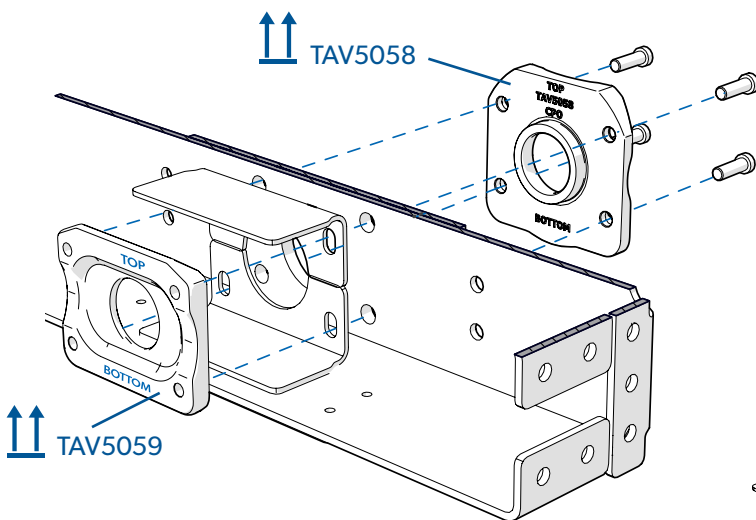
**1A** Installation to TAV drawbeam



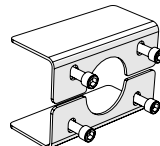
220Nm  
Tighten with torque wrench



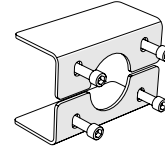
**1B** Install brackets when using another manufacturer's drawbeam



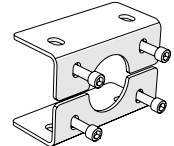
**TAV5072**  
2x 7mm  
4x M16x70



**TAV5068**  
2x 6mm  
4x M16x65



**TAV5069**  
2x 5mm  
4x M16x70



**!**

**BOLTS**

Bolt can not exceed or fall below this dimension

**2**

TAV5056    TAV5055

**3**

TAV5057

**!** Use only silicone based lubricants for rubber parts

**4**

TAV5012-4    TAV5011    TAV5060

**5**

TAV5013

**!**

**TAV5013**  
450Nm  
Tighten with torque wrench

**!** Tightness inspection point

23 ± 1mm

